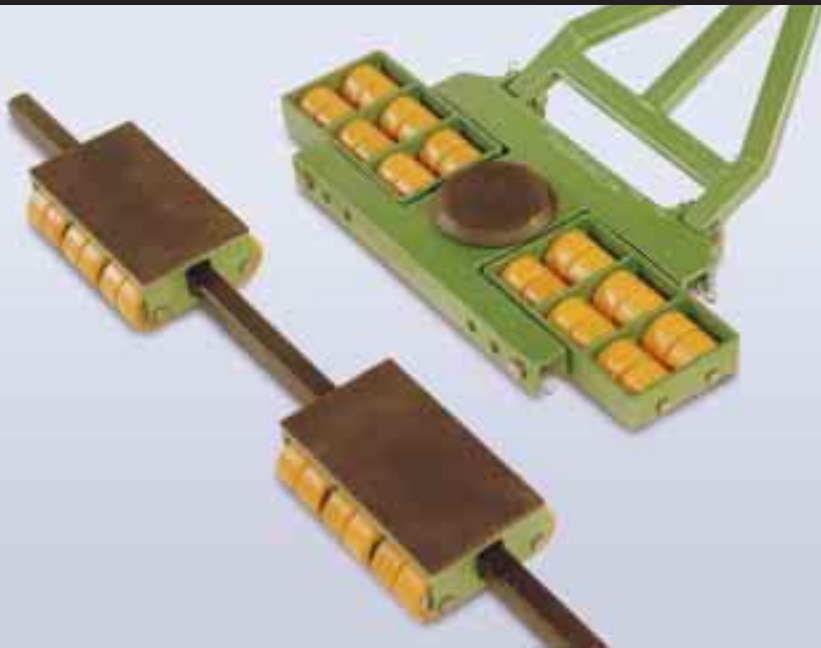


Dorvic

Multi-roller Skates

THE UK'S PRINCIPAL SKATE AND ROLLER MANUFACTURERS

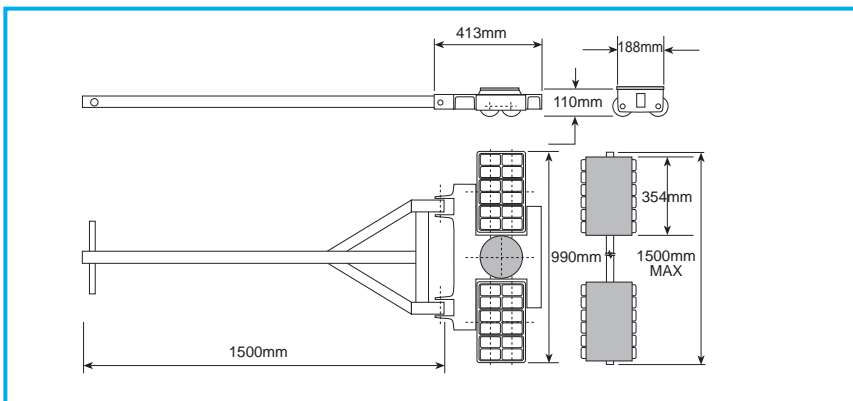


Model: DB5

Set capacity (nylon wheels) 30,000kgs
Set capacity (polyurethane wheels) 20,000kgs
 (Illustrated)

Dorvic multi-roller skates provide a comprehensive modular load moving system designed to safely cope with moving heavy weights.

- Supplied with either nylon or polyurethane wheels as standard. Steel wheels available by request.
- Nylon wheels for use on good to average floor surfaces.
- Polyurethane wheels for use on sensitive floors e.g. highly painted, tiled surfaces.
- All wheels have shielded ball bearings for low rolling resistance.
- No floor damage.
- Steerable front skates for total control.
- Even weight distribution.
- Modular format for three or four point moving.
- Non-slip neoprene pads on each load bearing surface.
- Low weight and compact size for easy transportation.
- Combinations provide easy configurations.
- Manufactured to the highest specifications by Dorvic, The U.K.'s No.1 manufacturer of heavy load moving skates since 1967.



Steerable Turntable Skate			Adjustable Rear Skates		
Model Ref	Nylon DB5/STS/N Polyurethane DB5/STS/P		Model Ref	Nylon DB5/ARS/N Polyurethane DB5/ARS/P	
Capacity	Nylon 15,000kgs Polyurethane 10,000kgs		Capacity (pair)	Nylon 15,000kgs Polyurethane 10,000kgs	
Overall height	110mm		Overall height	110mm	
Overall width	990mm		Adjustable width	To 1500mm Max	
Turntable dia	190mm		Load surfaces	2 No. 354mm x 188mm	
Wheels	24 No. 82mm dia x 48mm		Wheels	24 No. 82mm dia x 48mm	
Handle length	1500mm				
Weight (inc. handle)	62kgs		Weight (each skate)	18.5kgs	
Weight of total set 105kgs					



Dorvic Skates, New Street,
 Halfway, Sheffield, S20 3GH, UK.

© Dorvic Skates 2003. All rights reserved
 All dimensions and weights are approximate.
 We reserve the right to alter or amend designs
 and materials specifications without notice.

Tel: +44 (0) 114 248 5633 E-mail: sales@dorvic.com
 Fax: +44 (0) 114 251 0654 Web: www.dorvic.com